



UPVC SLIDING PATIO DOOR FITTING GUIDE

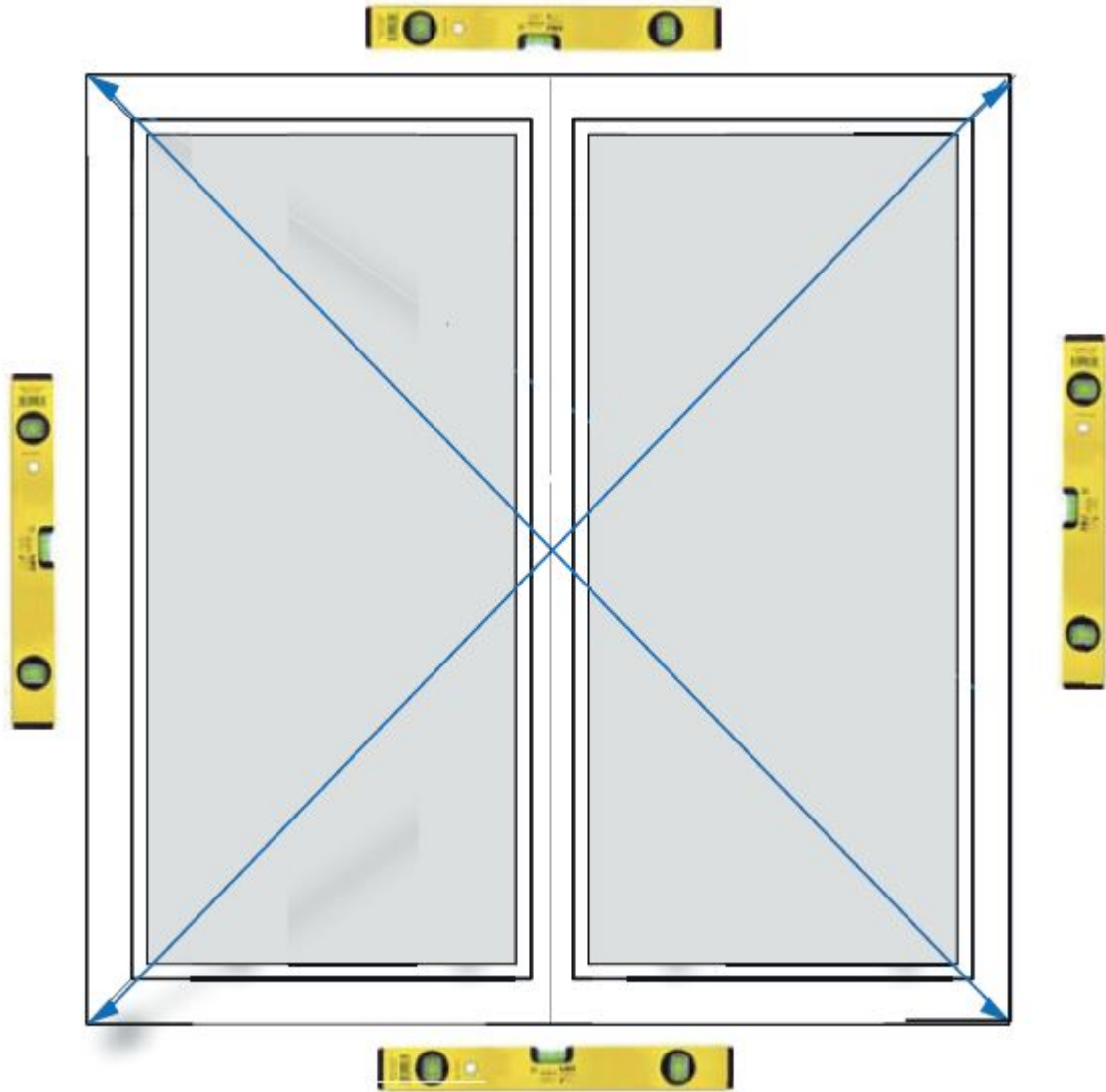
Please read this page in full and check size, frames, glass and ancillaries prior to commencing or arranging an installation.

All windows and doors are checked before they leave the factory, however please check your goods to ensure they are the correct size and style and operate easily. To ensure an accurate test on side hinged openers, including doors, lay the frame flat horizontally to test operation.

If you are unhappy with any part of any part of an item supplied, do not begin the installation, contact us on 01777 594131

Any shortages or damages need to be reported immediately upon delivery. Any items reported missing or damaged after this time will be deemed chargeable.

It is well recognisable that over 90% of remedial work is due to incorrect installation. Any information on this page is intended as a basic guide to installation. We cannot predict every type of installation that may be encountered. If you are unsure of any of the installation process then seek an installation expert to install for you.

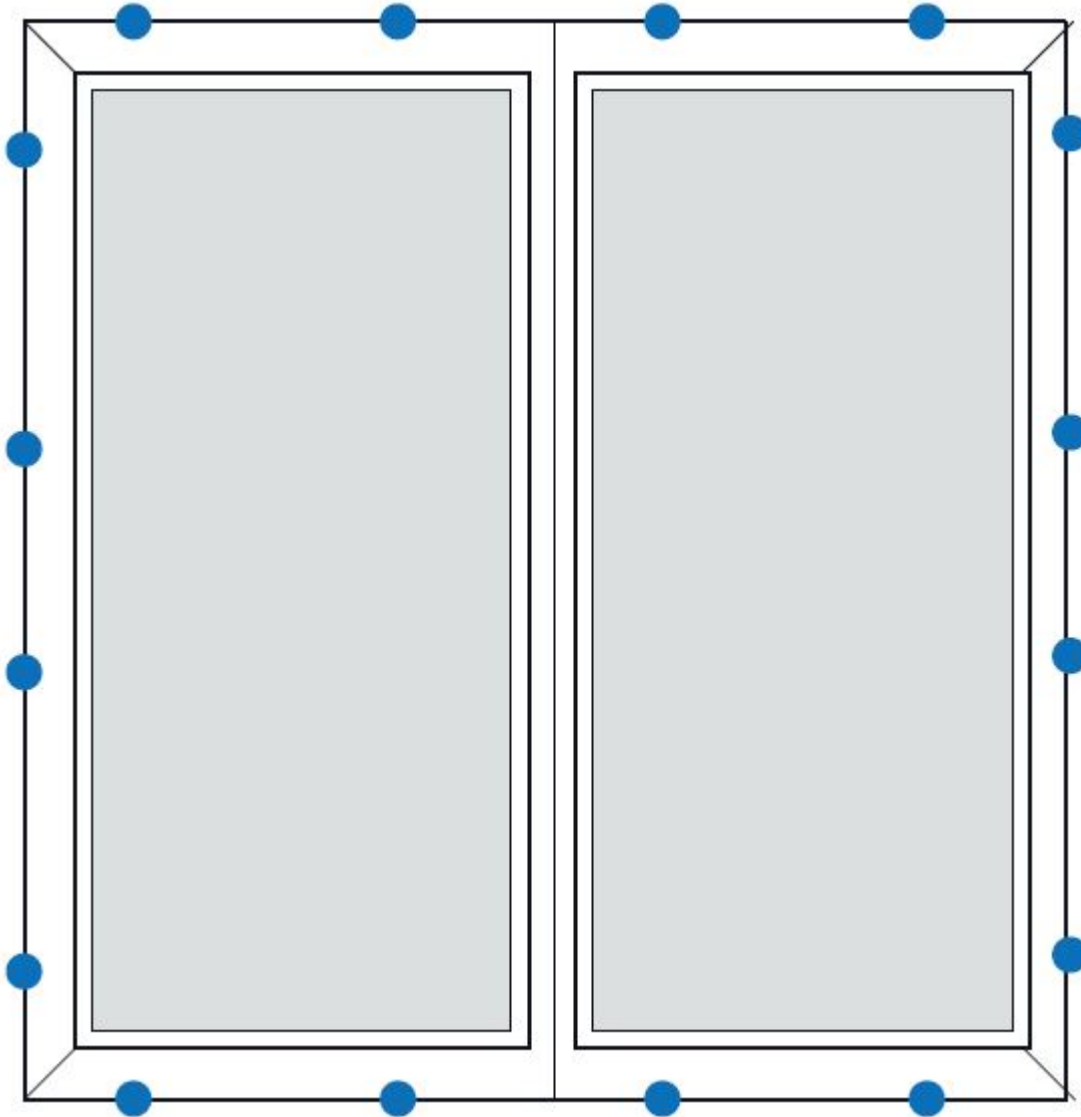


To ensure smooth operation the following guidelines MUST be adhered to:

- a) The head, base and jambs are 100% level.
- b) The frame is 100% plumb.
- c) The frame is square.

Please note:

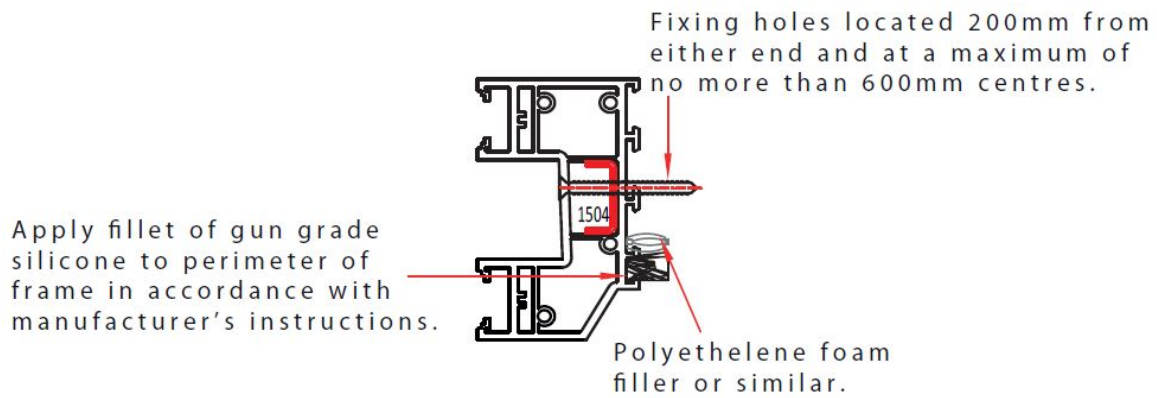
If the patio door is installed on a construction site, the threshold is to be protected against soiling or other materials.



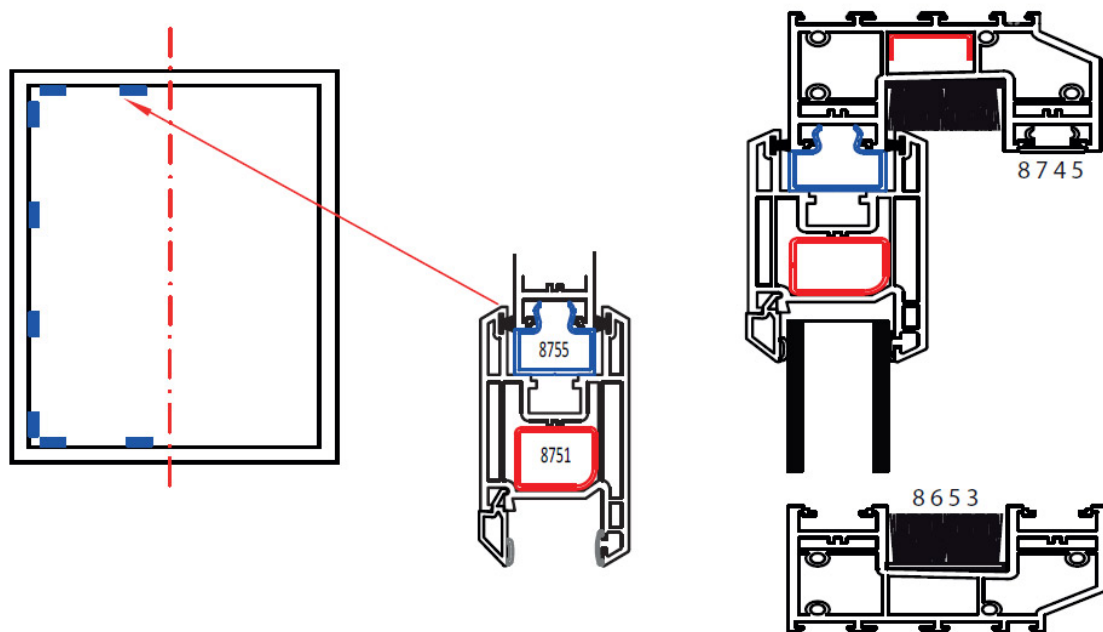
Blue dots denote fixing points

Perimeter Fixing shall be positioned as follows:

- a) 1 x Fixing 150 – 250mm from a corner, both horizontally and vertically.
- b) 1 x Fixing 150 – 250mm at either side of where the vertical members of the sashmeets the outer frame.
- c) Fixings shall occur at NO MORE than 600mm centres.
- d) Where frames are coupled together, through frame Fixing 100mm from each end and centres NOT exceeding 400mm are recommended.

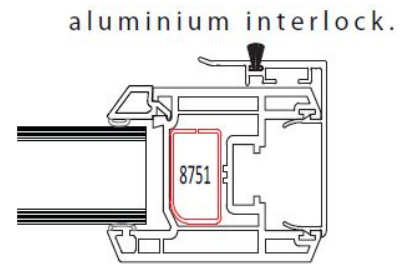
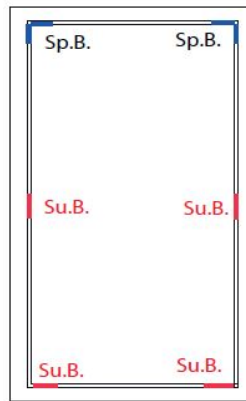
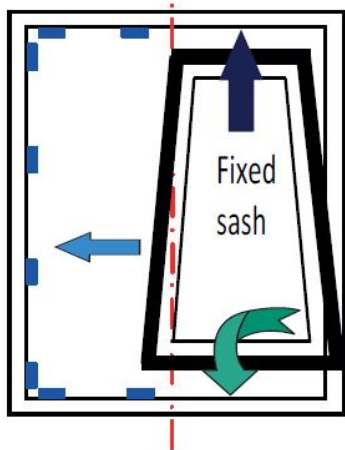


Pencil mark on the frame where the aluminium spacers are located.
 Screw the spacers. This is where the non-sliding sash will be fixed to the frame.
 Fit dust plugs in the top and bottom of the frame, centrally and trim full width with trim.



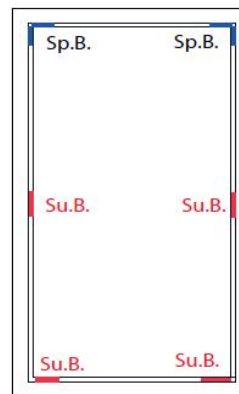
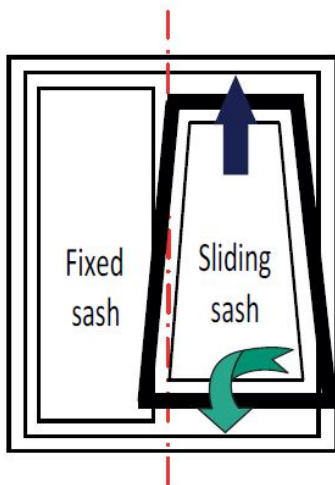
Offer the fixed sash to the frame and slide sash over the spacers.

Screw the sash to the spacers. Glaze fixed sash and fit interlock.



— Su.B. = Support packers for glass
 — Sp.B. = Spacer packer

Offer the sliding sash to the frame. Glaze Sash. **Do not fit the interlock.**

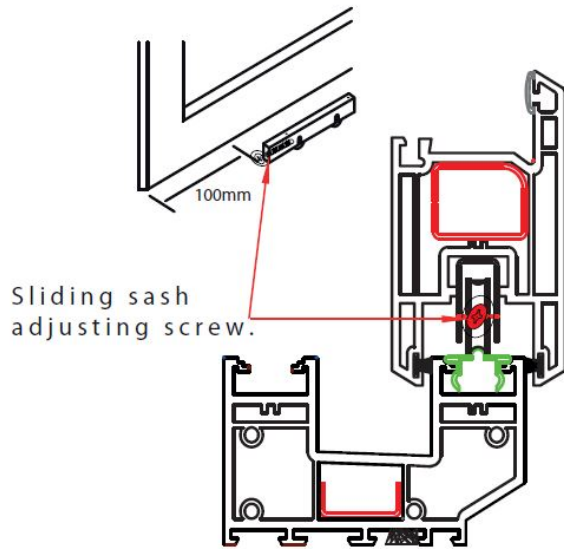


— Su.B. = Support packers for glass
 — Sp.B. = Spacer packer

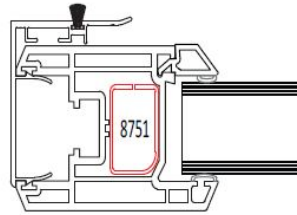
Adjust the wheels up or down to level the sash and obtain correct operation of the locking mechanism.

This can be achieved by winding the adjusting screws in or out.

Once you are happy with the operation, fit the interlock.



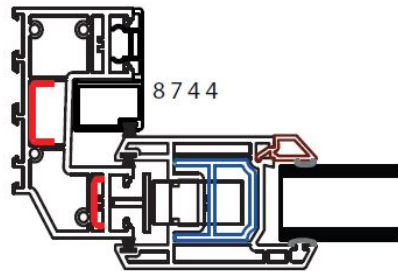
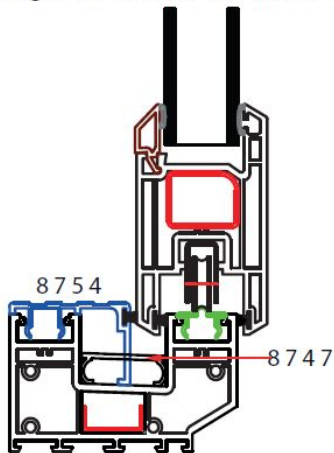
8753 aluminium interlock.



All of the trims can now be fitted.

Cill trims, 8754, fit woolpile, and 8747 cut to length from internal edge of frame to fixed sash.

Lock side trim, 8744, cut full height of internal frame rebate and fit woolpile.



Fixed sash trim, 8744, cut full height of internal frame rebate and fit woolpile.

Head trim 8744, cut to length from internal edge of frame to fixed sash interlock and fit woolpile.

